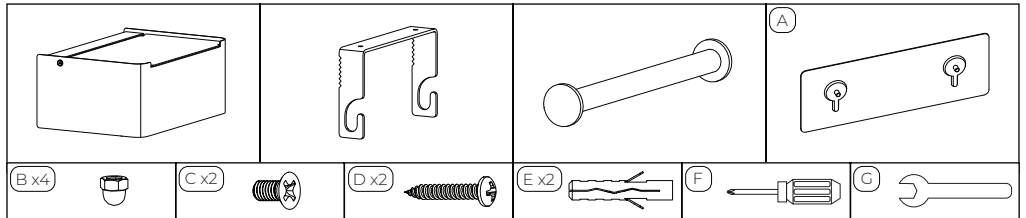
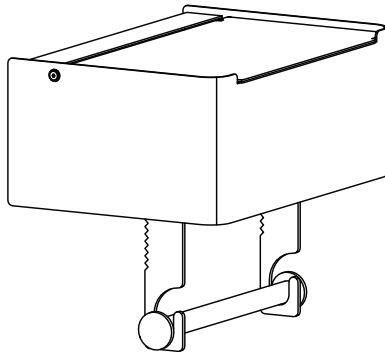


# PLATINUM JOHN

## INSTALLATION MANUAL

### TOILET PAPER HOLDER WITH STORAGE SHELF

PJ01005-02



**(1a) No Drill Adhesive Anchors (Only for very smooth and unpainted surfaces)** (A x1) (B x2) (G)

Clean wall surface, peel off adhesive backing and stick firmly onto the wall. Wait 24 hours, then attach the storage shelf.

**(1b) Drilled Anchors** (D x2) (E x2) (F)

Mark and drill anchor holes, insert wall anchors, then attach the storage shelf.

**(2) Toilet Paper Holder Assembly** (B x2) (C x2) (F) (G)

Screw the hook onto the shelf, then place the rod in the hook.